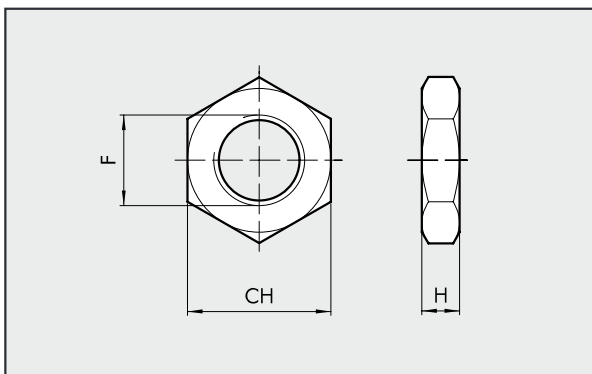




ROD NUT - MODEL S

Code Ø F H CH Weight [g]

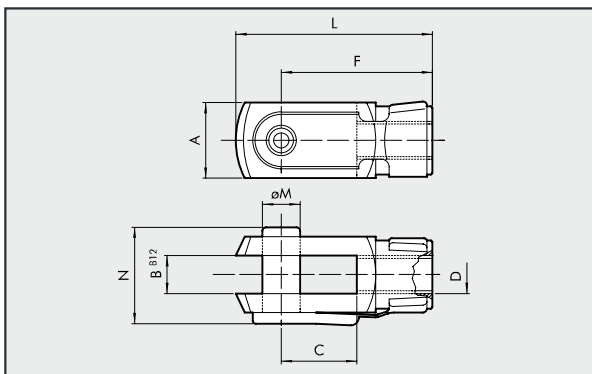


0950322010	32	M10x1.25	6	17	6
0950402010	40	M12x1.25	7	19	12
0950502010	50/63	M16x1.5	8	24	20
0950802010	80/100	M20x1.5	9	30	32
0951252010	125	M27x2	12	41	74

Note: Individually packed.

FORK MODEL GK-M

Code Ø Ø M C B A L F D N Weight [g]

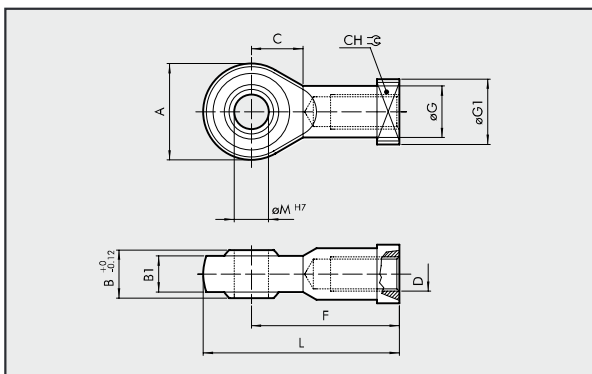


W0950322020	32	10	20	10	20	52	40	M10x1.25	26	92
W0950402020	40	12	24	12	24	62	48	M12x1.25	32	148
W0950502020	50	16	32	16	32	83	64	M16x1.5	40	340
W0950502020	63	16	32	16	32	83	64	M16x1.5	40	340
W0950802020	80	20	40	20	40	105	80	M20x1.5	40	690
W0950802020	100	20	40	20	40	105	80	M20x1.5	48	690
W0951252020	125	30	54	30	55	148	110	M27x2	65	1835

Note: Individually packed.

ROD EYE - MODEL GA-M

Code Ø Ø M C B1 B A L F D Ø G CH Ø G1 Weight [g]

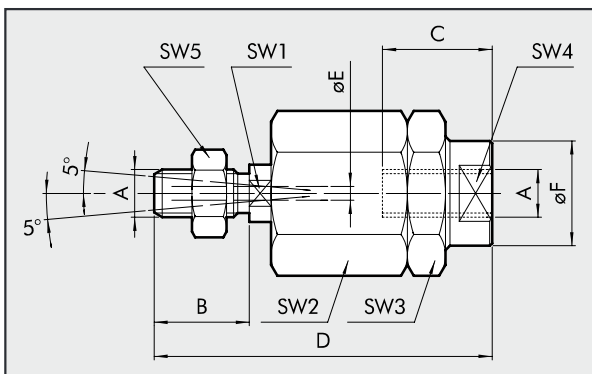


W0950322025	32	10	15	10.5	14	28	57	43	M10x1.25	15	17	19	78
W0950402025	40	12	17	12	16	32	66	50	M12x1.25	17.5	19	19	116
W0950502025	50	16	22	15	21	42	85	64	M16x1.5	22	22	22	226
W0950502025	63	16	22	15	21	42	85	64	M16x1.5	22	22	22	226
W0950802025	80	20	26	18	25	50	102	77	M20x1.5	27.5	30	27	404
W0950802025	100	20	26	18	25	50	102	77	M20x1.5	27.5	30	27	404
W0951252025	125	30	36	25	37	70	145	110	M27x2	40	41	50	1190

Note: Individually packed

SELF ALIGNING ROD COUPLER - MODEL GA-K

Code Ø A B C D Ø F Ø E SW₁ SW₂ SW₃ SW₄ SW₅ Weight [g]



W0950322030	32	M10x1.25	20	20	71	22	4	12	30	30	19	17	216
W0950402030	40	M12x1.25	24	20	75	22	4	12	30	30	19	19	220
W0950502030	50	M16x1.5	32	32	103	32	4	20	41	41	30	24	620
W0950502030	63	M16x1.5	32	32	103	32	4	20	41	41	30	24	620
W0950802030	80	M20x1.5	40	40	119	32	4	20	41	41	30	30	680
W0950802030	100	M20x1.5	40	40	119	32	4	20	41	41	30	30	680

Note: Individually packed