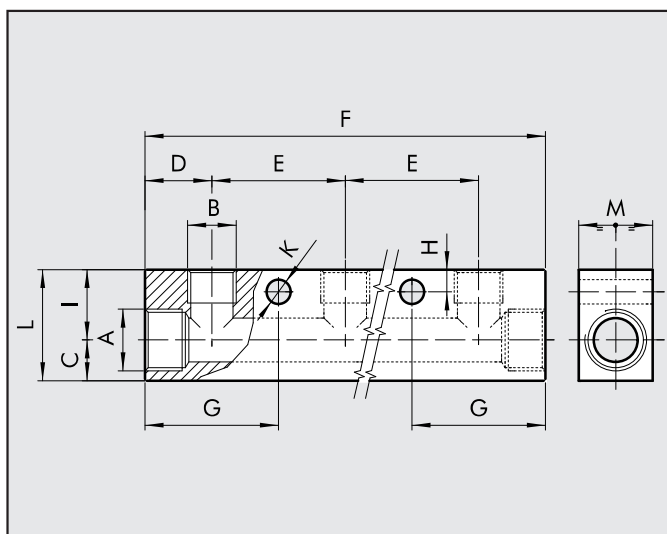




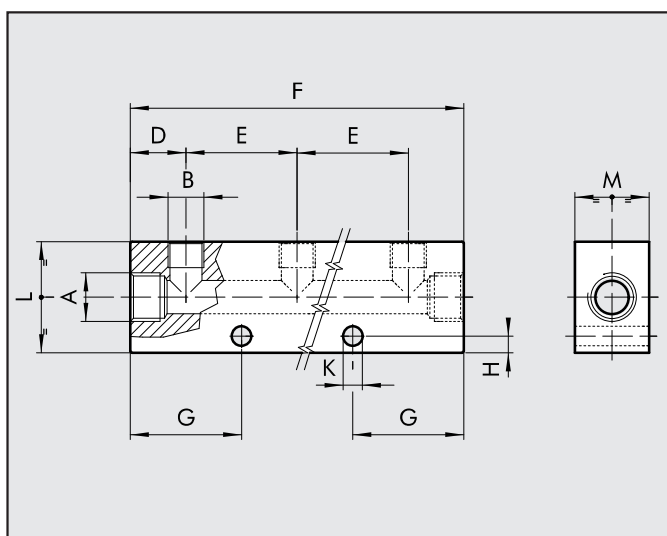
RIPARTITORI

RIPARTITORI A PIÙ USCITE LINEARI 1/4"



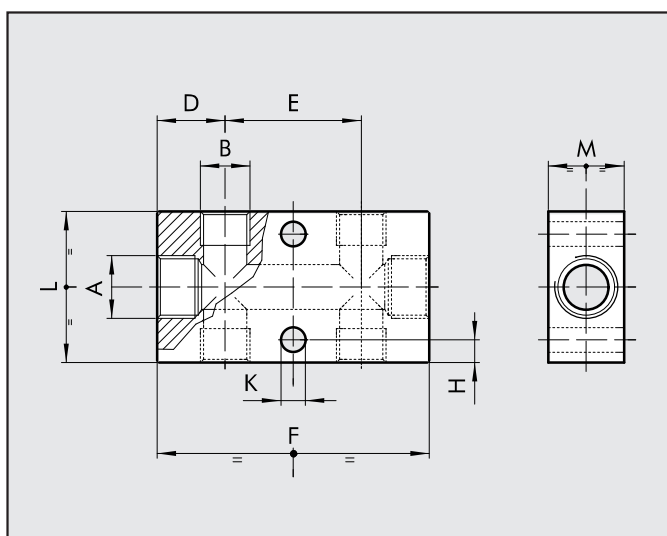
Cod.	ENTRATE		USCITE		D	E	F	G	H	K	I	C	L	M
	N°	A	N°	B										
W0502121006	2	G 3/8	3	G 1/4	18	36	108	36	6	6.5	19	11	30	20
W0502121008	2	G 3/8	4	G 1/4	18	36	144	36	6	6.5	19	11	30	20
W0502121010	2	G 3/8	5	G 1/4	18	36	180	36	6	6.5	19	11	30	20
W0502121012	2	G 3/8	6	G 1/4	18	36	216	36	6	6.5	19	11	30	20
W0502131006	2	G 1/2	3	G 1/4	18	36	108	36	6	6.5	24	16	40	30
W0502131008	2	G 1/2	4	G 1/4	18	36	144	36	6	6.5	24	16	40	30
W0502131010	2	G 1/2	5	G 1/4	18	36	180	36	6	6.5	24	16	40	30
W0502131012	2	G 1/2	6	G 1/4	18	36	216	36	6	6.5	24	16	40	30

RIPARTITORI A PIÙ USCITE LINEARI 1/8"



Cod.	ENTRATE		USCITE		D	E	F	G	H	K	L	M
	N°	A	N°	B								
W0502111005	2	G 1/4	3	G 1/8	15	30	90	30	4.5	5.3	30	20
W0502111007	2	G 1/4	4	G 1/8	15	30	120	30	4.5	5.3	30	20
W0502111009	2	G 1/4	5	G 1/8	15	30	150	30	4.5	5.3	30	20
W0502111011	2	G 1/4	6	G 1/8	15	30	180	30	4.5	5.3	30	20

RIPARTITORE A DUE USCITE CONTRAPPOSTE



Cod.	ENTRATE		USCITE		D	E	F	H	K	L	M
	N°	A	N°	B							
W0503111013	2	G 1/4	2+2	G 1/8	15	30	60	4.5	5.3	30	20
W0503121014	2	G 3/8	2+2	G 1/4	18	36	72	6	6.5	40	20
W0503131014	2	G 1/2	2+2	G 1/4	22	36	80	6	6.5	40	30