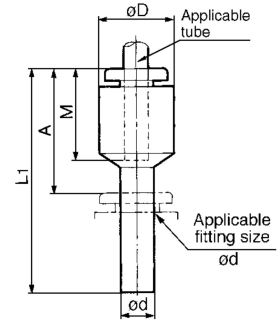


# Series KQ2

## Plug-in reducer: KQ2R



Tube O.D. (mm)	Fitting size $\phi$ D	Part No.	$\phi$ D <sup>(1)</sup>	L	A	M	Effective <sup>(2)</sup> area (mm <sup>2</sup> )		Weight (g)
							Nylon	Urethane	
3.2	4	KQ2R23-04	9.6	33.5	18.5	15.5	3.4	2.9	2
	6	KQ2R04-06	10.4	34.5	17.5	16	5.6	4	1.8
	8	KQ2R04-08		36.5	18				2.0
4	10	KQ2R04-10	12.8	39.5	18.5	17	4	4	3.3
	6	KQ2R06-04	12.8	37	21				2.5
	8	KQ2R06-08	12.8	37	18.5				2.5
6	10	KQ2R06-10	12.8	39.5	18.5	17	13.1	10.4	3
	12	KQ2R06-12	15.2	42	20				4.7
	10	KQ2R08-10	15.2	41	20				4.0
8	12	KQ2R08-12	15.2	42	20	18.5	26.1	18.0	4.6
	10	KQ2R10-10	18.5	44.5	23				21
10	16	KQ2R10-16	20.9	50.5	25.5	21	41.5	32.8	42
	12	KQ2R12-16	20.9	50.5	25.5				22

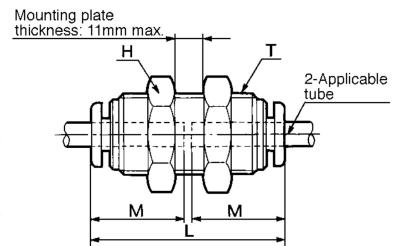


Note1)  $\phi$ D: max. diameter  
 Note2) ( ): Values for soft nylon.

## Bulkhead union: KQ2E



Tube O.D. (mm)	Part No.	T (M)	H (Hex.)	L	Mounting hole	M	Effective <sup>(1)</sup> area (mm <sup>2</sup> )		Weight (g)
							Nylon	Urethane	
3.2	KQ2E23-00	M12 X 1	14	31.5	13	15.5	3.4	2.9	26
4	KQ2E04-00	M12 X 1	14	32.5	12	16	5.6	4	26
6	KQ2E06-00	M14 X 1	17	34.5	14	17	13.1	10.4	33
8	KQ2E08-00	M16 X 1	19	38	16	18.5	26.1	18.0	52
10	KQ2E10-00	M20 X 1	24	42.5	20	21	41.5	29.5	70
12	KQ2E12-00	M22 X 1	27	44	22	22	58.3	46.1	90
16	KQ2E16-00	M28 X 1.5	32	51	28	25	113	(96)	115

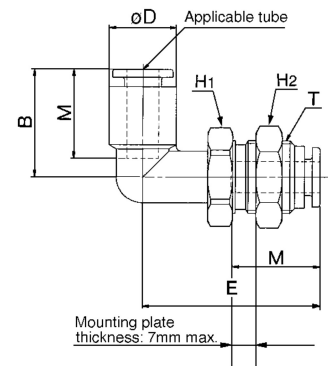


Note1) ( ): Values for soft nylon.

## Bulkhead male elbow: KQ2LE



Tube O.D. (mm)	Part No.	T	H1 (Hex.)	H2 (Hex.)	B	E	$\phi$ D <sup>(1)</sup>	Mounting hole	M	Effective <sup>(1)</sup> area (mm <sup>2</sup> )		Weight (g)
										Nylon	Urethane	
4	KQ2LE04-00	M12 X 1	14	14	18.5	31	10.4	12	16	4.2	4.2	18
6	KQ2LE06-00	M14 X 1	17	17	20.5	34	12.8	14	17	11.4	9.0	25
8	KQ2LE08-00	M16 X 1	17	19	23.5	38.5	15.2	16	18.5	21.6	14.9	33
10	KQ2LE10-00	M20 X 1	22	24	26.5	43.5	18.5	20	21	35.2	25.0	63
12	KQ2LE12-00	M22 X 1	24	27	28.5	45.5	20.9	22	22	50.2	39.7	77

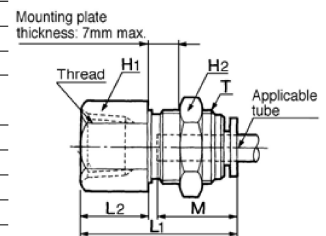


Note1)  $\phi$ D: max. diameter

## Bulkhead connector: KQ2E



Tube O.D. (mm)	Thread Rc(PT)	Part No.	T (M)	H1 (Hex.)	H2 (Hex.)	L1	L2	Mounting hole	M	Effective <sup>(1)</sup> area (mm <sup>2</sup> )		Weight (g)
										Nylon	Urethane	
3.2	1/4	KQ2E23-02	M12 X 1	17	14	31.5	15	13	15.5	3.4	2.9	13
4	1/8	KQ2E04-01	M12 X 1	14	14	27.5	11	12	16	5.6	4	16
	1/4	KQ2E04-02										31
6	1/8	KQ2E06-01	M14 X 1	17	17	28	11	14	17	13.1	10.4	30
	3/8	KQ2E06-03										33.5
8	1/8	KQ2E08-01	M16 X 1	17	19	27.5	7.5	16	18.5	26.1	18.0	28
	1/4	KQ2E08-02										33
10	3/8	KQ2E08-03	M16 X 1	19	19	35	15	16	18.5	26.1	18.0	48
	1/4	KQ2E10-02										34.5
10	3/8	KQ2E10-03	M20 X 1	22	24	36.5	15	20	21	41.5	29.5	67
	1/2	KQ2E12-03										37
12	3/8	KQ2E12-03	M22 X 1	24	27	41	18	22	22	58.3	46.1	59
	1/2	KQ2E12-04										41
16	3/8	KQ2E16-03	M28 X 1.5	30	32	40	14	28	25	96	(96)	127
	1/2	KQ2E16-04										44



Note1) ( ): Values for soft nylon.