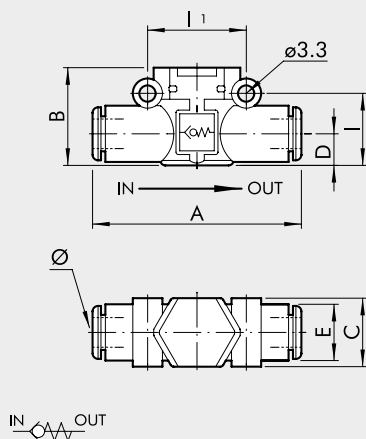


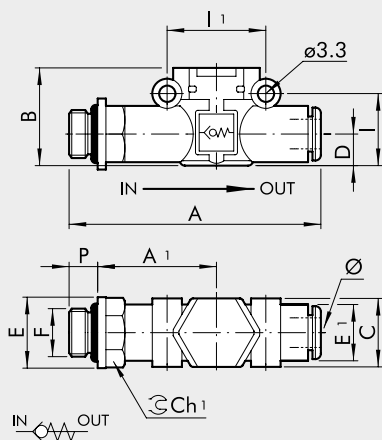
VNR L TUBO - TUBO



Codice	Rif.	Ø	A	B	C	D	E	I	I1
9064001	VNR L Ø4-Ø4	4 ▲	41.8	17.5	10.7	5.6	10	12.8	16
9064016	VNR L Ø6-Ø6	6	49.4	20	14.7	6.4	11.4	14.6	20
9064016U	VNR L Ø1/4-Ø1/4	1/4	49.4	20	14.7	6.4	11.4	14.6	20
9064024	VNR L Ø8-Ø8	8 ▲	57.3	25.5	18.7	9.1	13.8	18.7	24

▲ Ø4 = Ø5/32"; Ø8 = Ø5/16"

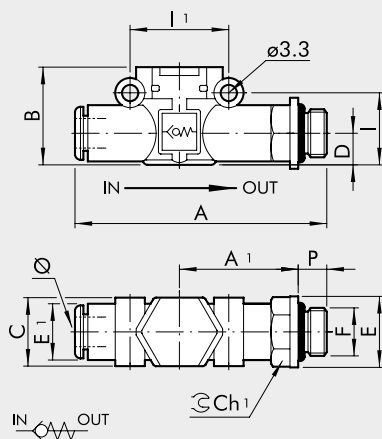
VNR L FILETTO G (BSP) - TUBO



Codice	Rif.	F	Ø	P	A	A1	B	C	E	E1	I	I1	Ch1
9064101	VNR L M5-Ø4	M5	4 ▲	4	47.7	22.7	17.5	10.7	9.9	10	12.8	16	9
9064102	VNR L 1/8-Ø4	1/8	4 ▲	6	50.6	24.6	17.5	10.7	14	10	12.8	16	12
9064108	VNR L 1/8-Ø6	1/8	6	6	58.5	27.8	20	14.7	14	11.4	14.6	20	12
9064109	VNR L 1/4-Ø6	1/4	6	8	61.5	28.8	20	14.7	18	11.4	14.6	20	14
9064110	VNR L 1/8-Ø8	1/8	8 ▲	6	66.2	31.8	25.5	18.7	15	13.8	18.7	24	14
9064111	VNR L 1/4-Ø8	1/4	8 ▲	8	70.6	34.2	25.5	18.7	18	13.8	18.7	24	14
9064112	VNR L 3/8-Ø8	3/8	8 ▲	9	72.2	34.8	25.5	18.7	22	13.8	18.7	24	17

▲ Ø4 = Ø5/32"; Ø8 = Ø5/16"

VNR L TUBO - FILETTO G (BSP)



Codice	Rif.	Ø	F	P	A	A1	B	C	E	E1	I	I1	Ch1
9064201	VNR L Ø4-M5	4 ▲	M5	4	47.7	22.7	17.5	10.7	9.9	10	12.8	16	9
9064202	VNR L Ø4-1/8	4 ▲	1/8	6	50.6	24.6	17.5	10.7	14	10	12.8	16	12
9064208	VNR L Ø6-1/8	6	1/8	6	58.5	27.8	20	14.7	14	11.4	14.6	20	12
9064209	VNR L Ø6-1/4	6	1/4	8	61.5	28.8	20	14.7	18	11.4	14.6	20	14
9064210	VNR L Ø8-1/8	8 ▲	1/8	6	66.2	31.8	25.5	18.7	15	13.8	18.7	24	14
9064211	VNR L Ø8-1/4	8 ▲	1/4	8	70.6	34.2	25.5	18.7	18	13.8	18.7	24	14
9064212	VNR L Ø8-3/8	8 ▲	3/8	9	72.2	34.8	25.5	18.7	22	13.8	18.7	24	17

▲ Ø4 = Ø5/32"; Ø8 = Ø5/16"