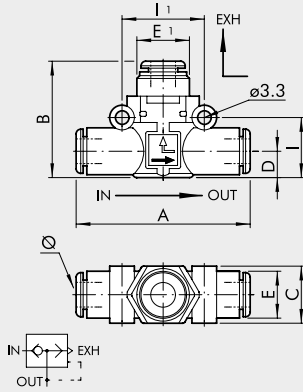


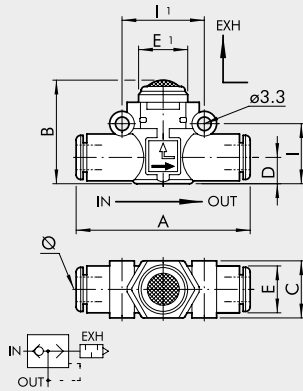
## VSR L TUBO - TUBO SCARICO CONVOGLIATO



Codice	Rif.	Ø	A	B	C	D	E	E1	I	I1
9063001	VSR L Ø4-Ø4-Ø4	4 ▲	41.8	25.8	10.7	5.6	10	9.7	12.8	16
9063016	VSR L Ø6-Ø6-Ø6	6	49.4	30.2	14.7	6.4	11.4	13	14.6	20
9063016U	VSR L Ø1/4-Ø1/4-Ø1/4	1/4	49.4	30.2	14.7	6.4	11.4	13	14.6	20
9063024	VSR L Ø8-Ø8-Ø8	8 ▲	57.3	35.9	18.7	9.1	13.8	15	18.7	24

▲ Ø4 = Ø5/32"; Ø8 = Ø5/16"

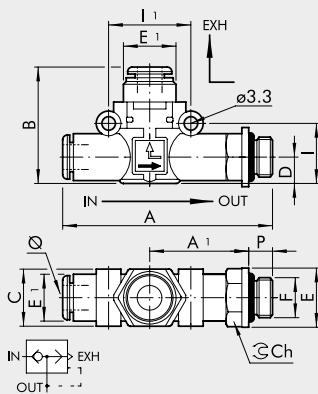
## VSR L TUBO - TUBO SCARICO SILENZIATO



Codice	Rif.	Ø	A	B	C	D	E	E1	I	I1
9063101	VSR L Ø4-Ø4-SIL	4 ▲	41.8	19.8	10.7	5.6	10	10	12.8	16
9063116	VSR L Ø6-Ø6-SIL	6	49.4	25.5	14.7	6.4	11.4	14	14.6	20
9063116U	VSR L Ø1/4-Ø1/4-SIL	1/4	49.4	25.5	14.7	6.4	11.4	14	14.6	20
9063124	VSR L Ø8-Ø8-SIL	8 ▲	57.3	31.5	18.7	9.1	13.8	18	18.7	24

▲ Ø4 = Ø5/32"; Ø8 = Ø5/16"

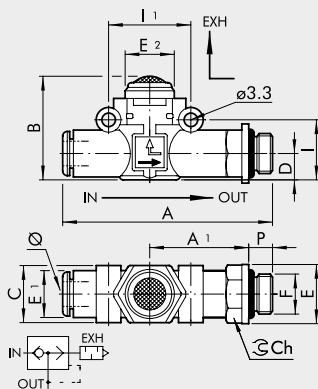
## VSR L TUBO - FILETTO G (BSP) SCARICO CONVOGLIATO



Codice	Rif.	Ø	F	P	A	A1	B	C	D	E	E1	E2	I	I1	Ch
9063201	VSR L Ø4-M5-Ø4	4 ▲	M5	4	47.7	22.7	25.8	10.7	5.6	9.9	10	9.7	12.8	16	9
9063202	VSR L Ø4-1/8-Ø4	4 ▲	1/8	6	50.6	24.6	25.8	10.7	5.6	14	10	9.7	12.8	16	12
9063208	VSR L Ø6-1/8-Ø6	6	1/8	6	58.5	27.8	30.2	14.7	6.4	14	11.4	13	14.6	20	12
9063209	VSR L Ø6-1/4-Ø6	6	1/4	8	61.5	28.8	30.2	14.7	6.4	18	11.4	13	14.6	20	14
9063210	VSR L Ø8-1/8-Ø8	8 ▲	1/8	6	66.2	31.8	35.9	18.7	9.1	15	13.8	15	18.7	24	14
9063211	VSR L Ø8-1/4-Ø8	8 ▲	1/4	8	70.6	34.2	35.9	18.7	9.1	18	13.8	15	18.7	24	14
9063212	VSR L Ø8-3/8-Ø8	8 ▲	3/8	9	72.2	34.8	35.9	18.7	9.1	22	13.8	15	18.7	24	17

▲ Ø4 = Ø5/32"; Ø8 = Ø5/16"

## VSR L TUBO - FILETTO G (BSP) SCARICO SILENZIATO



Codice	Rif.	Ø	F	P	A	A1	B	C	D	E	E1	E2	I	I1	Ch
9063301	VSR L Ø4-M5-SIL	4 ▲	M5	4	46.7	22.7	19.8	10.7	5.6	9.9	10	10	12.8	16	9
9063302	VSR L Ø4-1/8-SIL	4 ▲	1/8	6	50.6	24.6	19.8	10.7	5.6	14	10	10	12.8	16	12
9063308	VSR L Ø6-1/8-SIL	6	1/8	6	58.5	27.8	25.5	14.7	6.4	14	11.4	14	14.6	20	12
9063309	VSR L Ø6-1/4-SIL	6	1/4	8	61.5	28.8	25.5	14.7	6.4	18	11.4	14	14.6	20	14
9063310	VSR L Ø8-1/8-SIL	8 ▲	1/8	6	66.2	31.8	31.5	18.7	9.1	15	13.8	18	18.7	24	14
9063311	VSR L Ø8-1/4-SIL	8 ▲	1/4	8	70.6	34.2	31.5	18.7	9.1	18	13.8	18	18.7	24	14
9063312	VSR L Ø8-3/8-SIL	8 ▲	3/8	9	72.2	34.8	31.5	18.7	9.1	22	13.8	18	18.7	24	17

▲ Ø4 = Ø5/32"; Ø8 = Ø5/16"