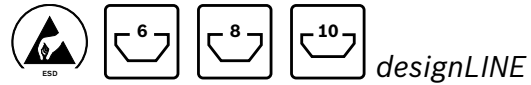
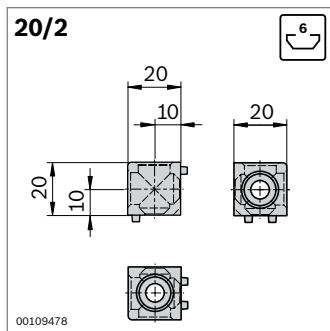


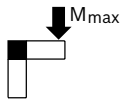
### Cubic connector

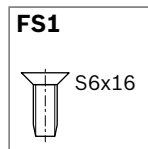








- ▶ For torsion-resistant corner connection of profiles with equal cross-sections
- ▶ *designLINE* version with special silver paint (RAL 9006) for an especially high-quality design
- ▶ Cover caps to cover the openings
- ▶ Screw fastening on profile with self-tapping screws
- ▶ Profile machining: not required

Technical data (p. 19-8)



Model	
20/2	18 Nm

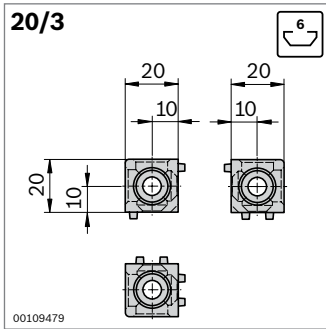


Cubic connector 20/2	Slot	ESD		No.	FS
Set (standard), signal grey	6		*	1	<b>3 842 549 858</b> 2xFS1
Set <i>designLINE</i> , signal grey	6		*	1	<b>3 842 549 859</b> 2xFS1
Cubic connector	6			20	<b>3 842 523 875</b>
Cover cap	signal grey (PP)			100	<b>3 842 548 700</b>
D12	black (PP)			100	<b>3 842 548 704</b>
Countersunk screw S6x16	6			100	<b>3 842 517 132</b>

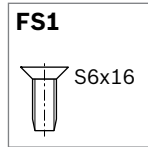
Material: Cubic connector: Die-cast aluminum  
*designLINE* cubic connector: painted (RAL 9006)  
 Fastening material: Steel, galvanized

Scope of delivery: Set Incl. fastening material (FS), cover caps

\* Cubic connector creates conductive connection, but the cover caps included in the set are not ESD-compatible.



<b>Model</b>	
20/3	23 Nm

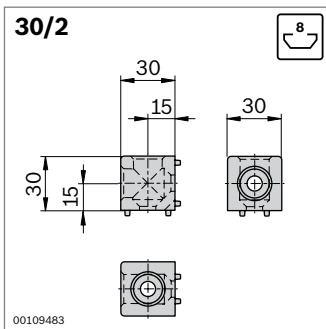


<b>Cubic connector 20/3</b>	<b>Slot</b>	<b>ESD</b>		<b>No.</b>	<b>FS</b>
Set (standard), signal grey	6	⚡*	1	<b>3 842 549 860</b>	3xFS1
Set <i>designLINE</i> , signal grey	6	⚡*	1	<b>3 842 549 861</b>	3xFS1
Cubic connector	6	⚡	20	<b>3 842 523 872</b>	
Cover cap	signal grey (PP)		100	<b>3 842 548 700</b>	
D12	black (PP)	⚡	100	<b>3 842 548 704</b>	
Countersunk screw S6x16	6	⚡	100	<b>3 842 517 132</b>	

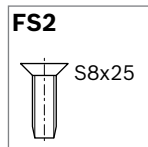
Material: Cubic connector: Die-cast aluminum  
*designLINE* cubic connector: painted (RAL 9006)  
 Fastening material: Steel, galvanized

Scope of delivery: Set Incl. fastening material (FS), cover caps

\* Cubic connector creates conductive connection, but the cover caps included in the set are not ESD-compatible.



<b>Model</b>	
30/2	80 Nm

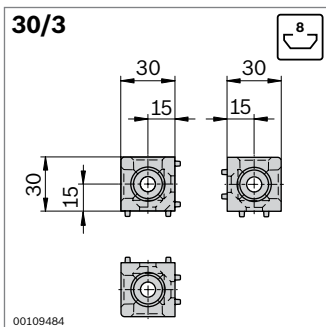


<b>Cubic connector 30/2</b>	<b>Slot</b>	<b>ESD</b>		<b>No.</b>	<b>FS</b>
Set (standard), signal grey	8	⚡*	1	<b>3 842 549 862</b>	2xFS2
Set <i>designLINE</i> , signal grey	8	⚡*	1	<b>3 842 549 863</b>	2xFS2
Cubic connector	8	⚡	20	<b>3 842 523 876</b>	
Cover cap	signal grey (PP)		100	<b>3 842 548 701</b>	
D18	black (PP)	⚡	100	<b>3 842 548 705</b>	
Countersunk screw S8x25	8	⚡	100	<b>3 842 517 543</b>	

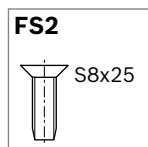
Material: Cubic connector: Die-cast aluminum  
*designLINE* cubic connector: painted (RAL 9006)  
 Fastening material: Steel, galvanized

Scope of delivery: Set Incl. fastening material (FS), cover caps

\* Cubic connector creates conductive connection, but the cover caps included in the set are not ESD-compatible.



<b>Model</b>	
30/3	85 Nm

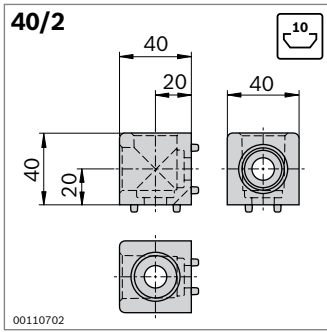


<b>Cubic connector 30/3</b>	<b>Slot</b>	<b>ESD</b>		<b>No.</b>	<b>FS</b>
Set (standard), signal grey	8	⚡*	1	<b>3 842 549 864</b>	3xFS2
Set <i>designLINE</i> , signal grey	8	⚡*	1	<b>3 842 549 865</b>	3xFS2
Cubic connector	8	⚡	20	<b>3 842 523 873</b>	
Cover cap	signal grey (PP)		100	<b>3 842 548 701</b>	
D18	black (PP)	⚡	100	<b>3 842 548 705</b>	
Countersunk screw S8x25	8	⚡	100	<b>3 842 517 543</b>	

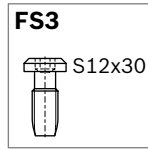
Material: Cubic connector: Die-cast aluminum  
*designLINE* cubic connector: painted (RAL 9006)  
 Fastening material: Steel, galvanized

Scope of delivery: Set Incl. fastening material (FS), cover caps

\* Cubic connector creates conductive connection, but the cover caps included in the set are not ESD-compatible.



<b>Model</b>	
40/2	60 Nm

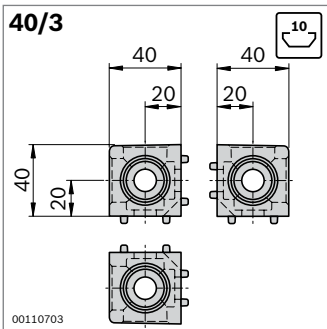


Cubic connector 40/2	Slot	ESD	No.	FS	
Set (standard), signal grey	10	⚡*	1	<b>3 842 549 866</b>	2xFS3
Set <i>designLINE</i> , signal grey	10	⚡*	1	<b>3 842 549 867</b>	2xFS3
Cubic connector	10	⚡	20	<b>3 842 529 010</b>	
Cover cap	signal grey (PP)		100	<b>3 842 548 702</b>	
D24	black (PP)	⚡	100	<b>3 842 548 706</b>	
Countersunk screw S12x30	10	⚡	100	<b>3 842 530 236</b>	

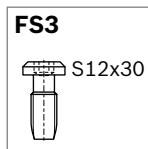
Material: Cubic connector: Die-cast aluminum  
*designLINE* cubic connector: painted (RAL 9006)  
 Fastening material: Steel, galvanized

Scope of delivery: Set Incl. fastening material (FS), cover caps

\* Cubic connector creates conductive connection, but the cover caps included in the set are not ESD-compatible.



<b>Model</b>	
40/3	70 Nm

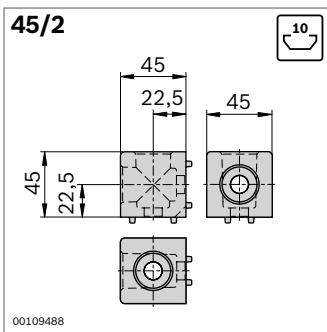


Cubic connector 40/3	Slot	ESD	No.	FS	
Set (standard), signal grey	10	⚡*	1	<b>3 842 549 868</b>	3xFS3
Set <i>designLINE</i> , signal grey	10	⚡*	1	<b>3 842 549 869</b>	3xFS3
Cubic connector	10	⚡	20	<b>3 842 529 011</b>	
Cover cap	signal grey (PP)		100	<b>3 842 548 702</b>	
D24	black (PP)	⚡	100	<b>3 842 548 706</b>	
Countersunk screw S12x30	10	⚡	100	<b>3 842 530 236</b>	

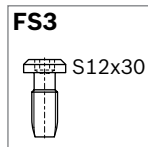
Material: Cubic connector: Die-cast aluminum  
*designLINE* cubic connector: painted (RAL 9006)  
 Fastening material: Steel, galvanized

Scope of delivery: Set Incl. fastening material (FS), cover caps

\* Cubic connector creates conductive connection, but the cover caps included in the set are not ESD-compatible.



<b>Model</b>		
45/2	45x45L	150 Nm
	45x45	200 Nm

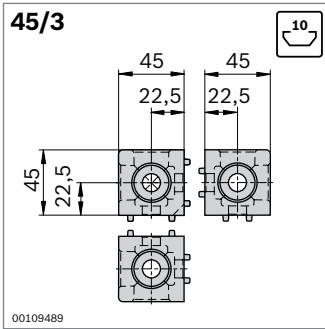


Cubic connector 45/2	Slot	ESD	No.	FS	
Set (standard), signal grey	10	⚡*	1	<b>3 842 549 870</b>	2xFS3
Set <i>designLINE</i> , signal grey	10	⚡*	1	<b>3 842 549 871</b>	2xFS3
Cubic connector	10	⚡	20	<b>3 842 523 877</b>	
Cover cap	signal grey (PP)		100	<b>3 842 548 702</b>	
D24	black (PP)	⚡	100	<b>3 842 548 706</b>	
Countersunk screw S12x30	10	⚡	100	<b>3 842 530 236</b>	

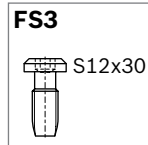
Material: Cubic connector: die-cast aluminum  
*designLINE* cubic connector: painted (RAL 9006)  
 Fastening material: Steel, galvanized

Scope of delivery: Set Incl. fastening material (FS), cover caps

\* Cubic connector creates conductive connection, but the cover caps included in the set are not ESD-compatible.



Model		
45/3	45x45L	170 Nm
	45x45	240 Nm

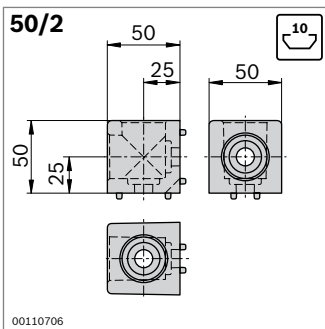


Cubic connector 45/3	Slot	ESD	No.	FS
Set (standard), signal grey	10		1	<b>3 842 549 872</b> 3xFS3
Set <i>designLINE</i> , signal grey	10		1	<b>3 842 549 873</b> 3xFS3
Cubic connector	10		20	<b>3 842 523 874</b>
Cover cap	signal grey (PP)		100	<b>3 842 548 702</b>
D24	black (PP)		100	<b>3 842 548 706</b>
Countersunk screw S12x30	10		100	<b>3 842 530 236</b>

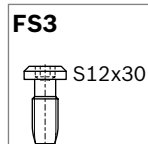
Material: Cubic connector: Die-cast aluminum  
*designLINE* cubic connector: painted (RAL 9006)  
 Fastening material: Steel, galvanized

Scope of delivery: Set Incl. fastening material (FS), cover caps

\* Cubic connector creates conductive connection, but the cover caps included in the set are not ESD-compatible.



Model		
50/2		120 Nm

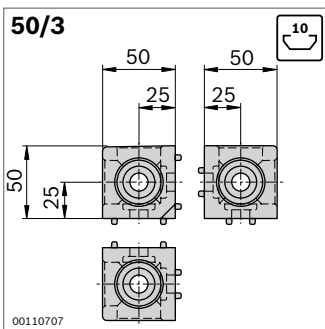


Cubic connector 50/2	Slot	ESD	No.	FS
Set (standard), signal grey	10		1	<b>3 842 549 874</b> 2xFS3
Cubic connector	10		20	<b>3 842 529 012</b>
Cover cap	signal grey (PP)		100	<b>3 842 548 703</b>
D30	black (PP)		100	<b>3 842 548 707</b>
Countersunk screw S12x30	10		100	<b>3 842 530 236</b>

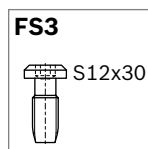
Material: Cubic connector: die-cast aluminum  
 Fastening material: Steel, galvanized

Scope of delivery: Set Incl. fastening material (FS), cover caps

\* Cubic connector creates conductive connection, but the cover caps included in the set are not ESD-compatible.



Model		
50/3		140 Nm



Cubic connector 50/3	Slot	ESD	No.	FS
Set (standard), signal grey	10		1	<b>3 842 549 876</b> 3xFS3
Cubic connector	10		20	<b>3 842 529 013</b>
Cover cap	signal grey (PP)		100	<b>3 842 548 703</b>
D30	black (PP)		100	<b>3 842 548 707</b>
Countersunk screw S12x30	10		100	<b>3 842 530 236</b>

Material: Cubic connector: die-cast aluminum  
 Fastening material: Steel, galvanized

Scope of delivery: Set Incl. fastening material (FS), cover caps

\* Cubic connector creates conductive connection, but the cover caps included in the set are not ESD-compatible.