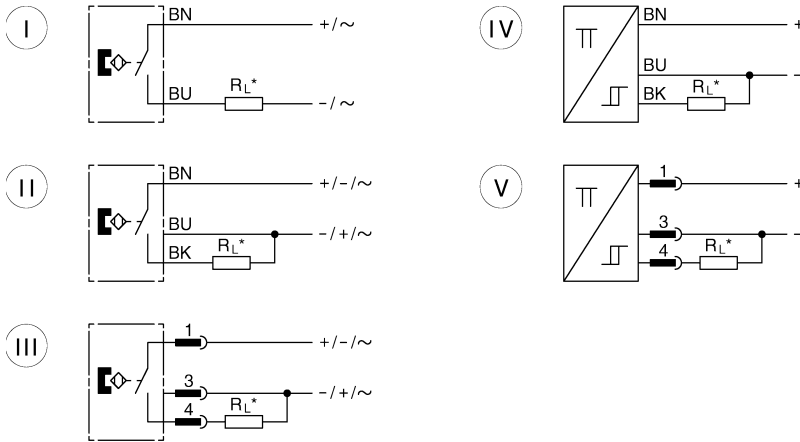


Round cylinders, Series RND

Cylinder switch Midi

▲ ★ **Cylinder switch Midi, electrically (Reed contact) and electronic (contactless)**



00111962

BN=brown, BK=black, BU=blue

	Contact type	Symbole	Length of cable L [m] Material	Con- nector	Ambient temperature range	Operating voltage [V]	Switching current max. [A]	Part number
B	Reed	I (2-wire)	3 PUR	-	-20 °C to +80 °C (-4 °F to +176 °F)	AC 12-240 DC 12-60	AC/DC: 0,13	0830100606
B	Reed	I (2-wire)	5 PUR	-	-20 °C to +80 °C (-4 °F to +176 °F)	AC 12-240 DC 12-60	AC/DC: 0,13	0830100607
B	Reed	I (2-wire)	10 PUR	-	-20 °C to +80 °C (-4 °F to +176 °F)	AC 12-240 DC 12-60	AC/DC: 0,13	0830100608
B	Reed	II (3-wire)	3 PUR	-	-20 °C to +80 °C (-4 °F to +176 °F)	AC/DC 10 - 30	AC/DC: 0,13	0830100609
B	Reed	II (3-wire)	5 PUR	-	-20 °C to +80 °C (-4 °F to +176 °F)	AC/DC 10 - 30	AC/DC: 0,13	0830100610
B	Reed	II (3-wire)	10 PUR	-	-20 °C to +80 °C (-4 °F to +176 °F)	AC/DC 10 - 30	AC/DC: 0,13	0830100611
A	Reed	III (3-wire)	-	M8x1	-20 °C to +80 °C (-4 °F to +176 °F)	AC/DC 10 - 30	AC/DC: 0,13	0830100482
C	Reed	III (3-wire)	-	M12x1	-20 °C to +80 °C (-4 °F to +176 °F)	AC/DC 10 - 30	AC/DC: 0,13	0830100496
B	contactless PNP	IV (3-wire)	3 PUR	-	-10 °C to +70 °C (+14 °F to +158 °F)	DC 10 - 30	DC: 0,13	0830100612
B	contactless PNP	IV (3-wire)	5 PUR	-	-10 °C to +70 °C (+14 °F to +158 °F)	DC 10 - 30	DC: 0,13	0830100613
B	contactless PNP	IV (3-wire)	10 PUR	-	-10 °C to +70 °C (+14 °F to +158 °F)	DC 10 - 30	DC: 0,13	0830100614
A	contactless PNP	V (3-wire)	-	M8x1	-10 °C to +70 °C (+14 °F to +158 °F)	DC 10 - 30	DC: 0,13	0830100483
C	contactless PNP	V (3-wire)	-	M12x1	-10 °C to +70 °C (+14 °F to +158 °F)	DC 10 - 30	DC: 0,13	0830100497

A = Plug-in connection M8x1; B = Cable connection; C = Plug-in connection M12x1

Round cylinders, Series RND

Cylinder switch Midi

Part no.	Switching capacity max.	Rs [Ω]	Voltage drop U at I _{max} .	Operational current (without load) not switched	Operational current (without load) switched	Switching frequency	Short-circuit protection	Polarity safe
0830100606	10 W / VA	27	2,1 V + I x Rs	-	-	< 300 Hz	no	yes
0830100607	10 W / VA	27	2,1 V + I x Rs	-	-	< 300 Hz	no	yes
0830100608	10 W / VA	27	2,1 V + I x Rs	-	-	< 300 Hz	no	yes
0830100609	5,5 W / VA	27	I x Rs	-	-	< 300 Hz	no	yes
0830100610	5,5 W / VA	27	I x Rs	-	-	< 300 Hz	no	yes
0830100611	5,5 W / VA	27	I x Rs	-	-	< 300 Hz	no	yes
0830100482	5,5 W / VA	27	I x Rs	-	-	< 300 Hz	no	yes
0830100496	5,5 W / VA	27	I x Rs	-	-	< 300 Hz	no	yes
0830100612	-	-	< 2 V	< 10 mA	< 15 mA	< 2 kHz	yes	yes
0830100613	-	-	< 2 V	< 10 mA	< 15 mA	< 2 kHz	yes	yes
0830100614	-	-	< 2 V	< 10 mA	< 15 mA	< 2 kHz	yes	yes
0830100483	-	-	< 2 V	< 10 mA	< 15 mA	< 2 kHz	yes	yes
0830100497	-	-	< 2 V	< 10 mA	< 15 mA	< 2 kHz	yes	yes

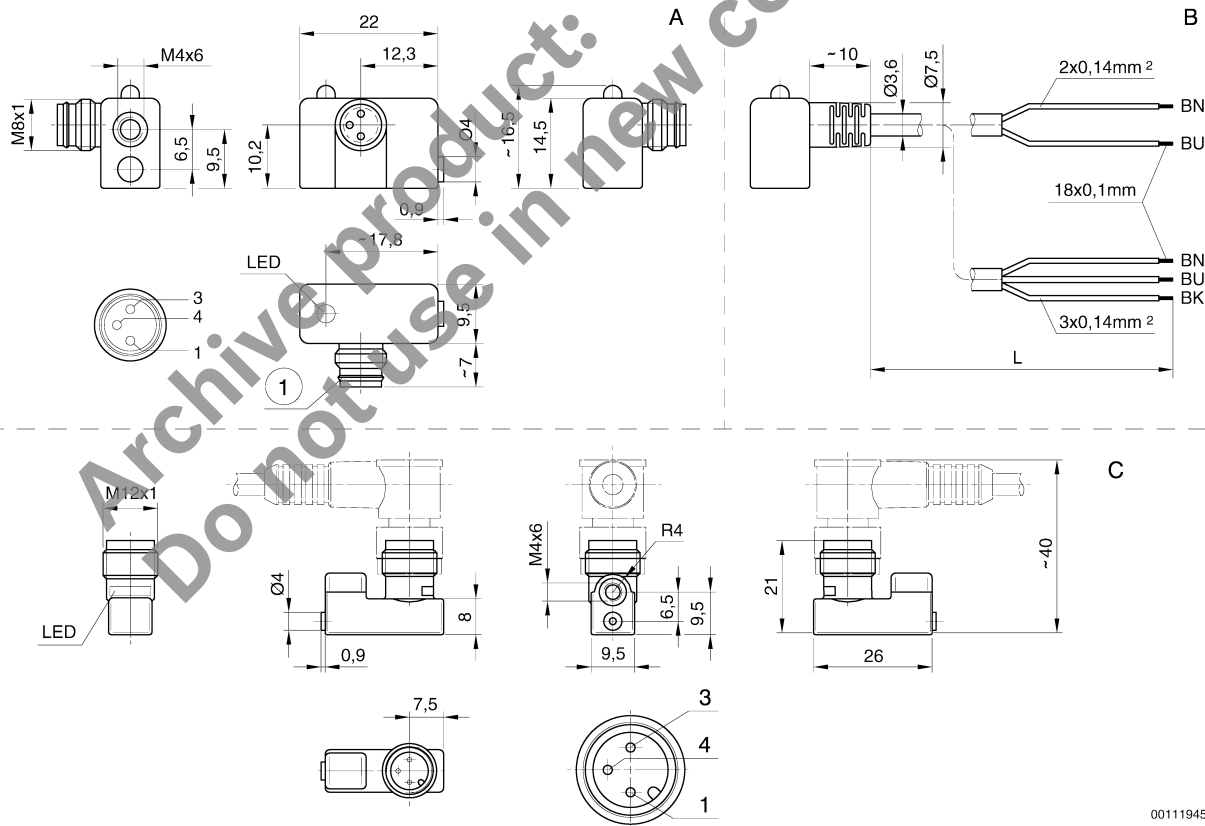
General characteristics:

- Degree of protection: IP 67 - IEC 60529 (DIN VDE 0470)
- Switching point accuracy (temperature = constant): ± 0,1 mm
- Indicator: LED (yellow = operating status: switched)
- Materials, body: polyamide

Reed:

- Rs = protective resistor for reed contact
- Shock resistance max.: 50 g / 11 msec (contact closes)
- Vibration resistance: 30 g (50 - 2000 Hz)
- Switching response times ON / OFF: ~ 0,6 msec / ~ 0,2 msec

Approximate figures for hysteresis, response travel and overrun speed, see last page of switches



00111945

(1) Plug-in connection can be combined with socket coupling snap connection 6.5 dia.