

# 5/2-directional valve, Series ST

- With spring return
- Qn = 280 l/min
- Compressed air connection output G 1/8
- Pipe connection



Type	Spool valve
Activation	Mechanical
Lock type	not lockable
Switching principle	5/2
Sealing principle	metal/metal sealing
Nominal flow Qn	280 l/min
Working pressure min./max.	-0,95 ... 10 bar
Ambient temperature min./max.	-15 ... 80 °C
Medium temperature min./max.	-15 ... 80 °C
Medium	Compressed air
Max. particle size	5 µm
Oil content of compressed air	5 ... 25 mg/m <sup>3</sup>
Mounting screw	M4 with hexagon socket
Mounting screw tightening torque	2,5 Nm
Weight	See table below

An example configuration is illustrated.  
The delivered product may thus deviate from the illustration.

## Technical data

Part No.		Actuating element	Compressed air connection type
0820403001		Plunger	Internal thread
0820403002		Roller	Internal thread
0820403003		Roller lever, one-way trip	Internal thread
0820403004		Push button	Internal thread
0820403005		Lever	Internal thread
0820403016		Roller with single-action lever	Internal thread
0820403017		Roller with articulated lever	Internal thread
0820403019		Plunger	Internal thread
R422002213		panel installation	Internal thread

Part No.	Compressed air connection Input	Compressed air connection Output	Compressed air connection Exhaust
0820403001	G 1/8	G 1/8	G 1/8
0820403002	G 1/8	G 1/8	G 1/8
0820403003	G 1/8	G 1/8	G 1/8
0820403004	G 1/8	G 1/8	G 1/8
0820403005	G 1/8	G 1/8	G 1/8
0820403016	G 1/8	G 1/8	G 1/8
0820403017	G 1/8	G 1/8	G 1/8
0820403019	G 1/8	G 1/8	G 1/8
R422002213	G 1/8	G 1/8	G 1/8

Part No.	Operating force	Actuating torque	Material actuating control	Weight	Fig.	
	min.	Min.				
0820403001	11 N	-	Stainless steel	0,22 kg	Fig. 1	-
0820403002	6,5 N	-	Polyoxymethylene	0,23 kg	Fig. 2	-
0820403003	6,5 N	-	Polyoxymethylene	0,23 kg	Fig. 3	-
0820403004	6,5 N	-	Polyamide	0,23 kg	Fig. 4	-
0820403005	-	0,02 Nm	Polyamide	0,22 kg	Fig. 5	-
0820403016	10 N	-	Polyoxymethylene	0,34 kg	Fig. 6	-
0820403017	25 N	-	Polyoxymethylene	0,34 kg	Fig. 7	-
0820403019	5 N	-	Stainless steel	0,22 kg	Fig. 8	-
R422002213	11 N	-	Polyoxymethylene	0,22 kg	Fig. 9	1)

Nominal flow Qn at 6 bar and  $\Delta p = 1$  bar

1) Please order control button separately.

## Technical information

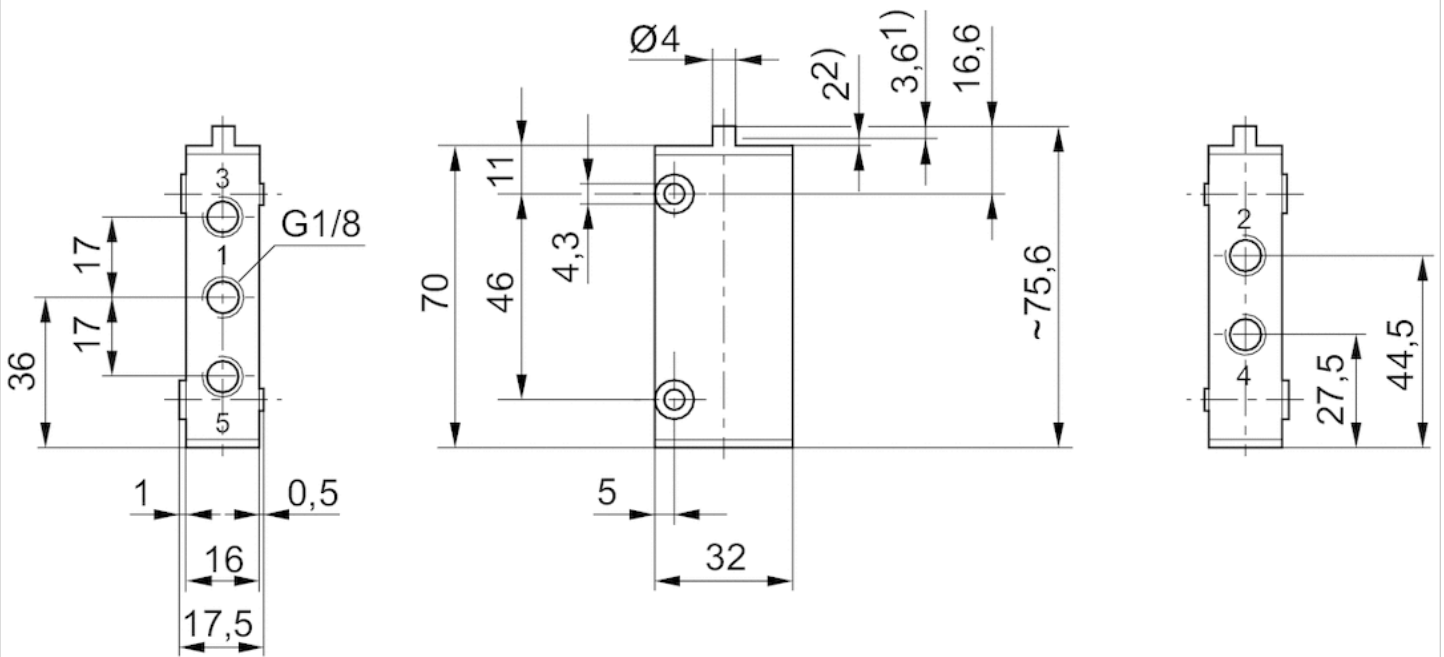
Notice: This product may only be operated with oiled compressed air.

## Technical information

Material	
Housing	Stainless steel, hardened
Seals	Acrylonitrile butadiene rubber
Actuating element	Stainless steel Polyoxymethylene Polyamide
Front cover	Stainless steel Steel Polyamide Aluminum Steel, galvanized

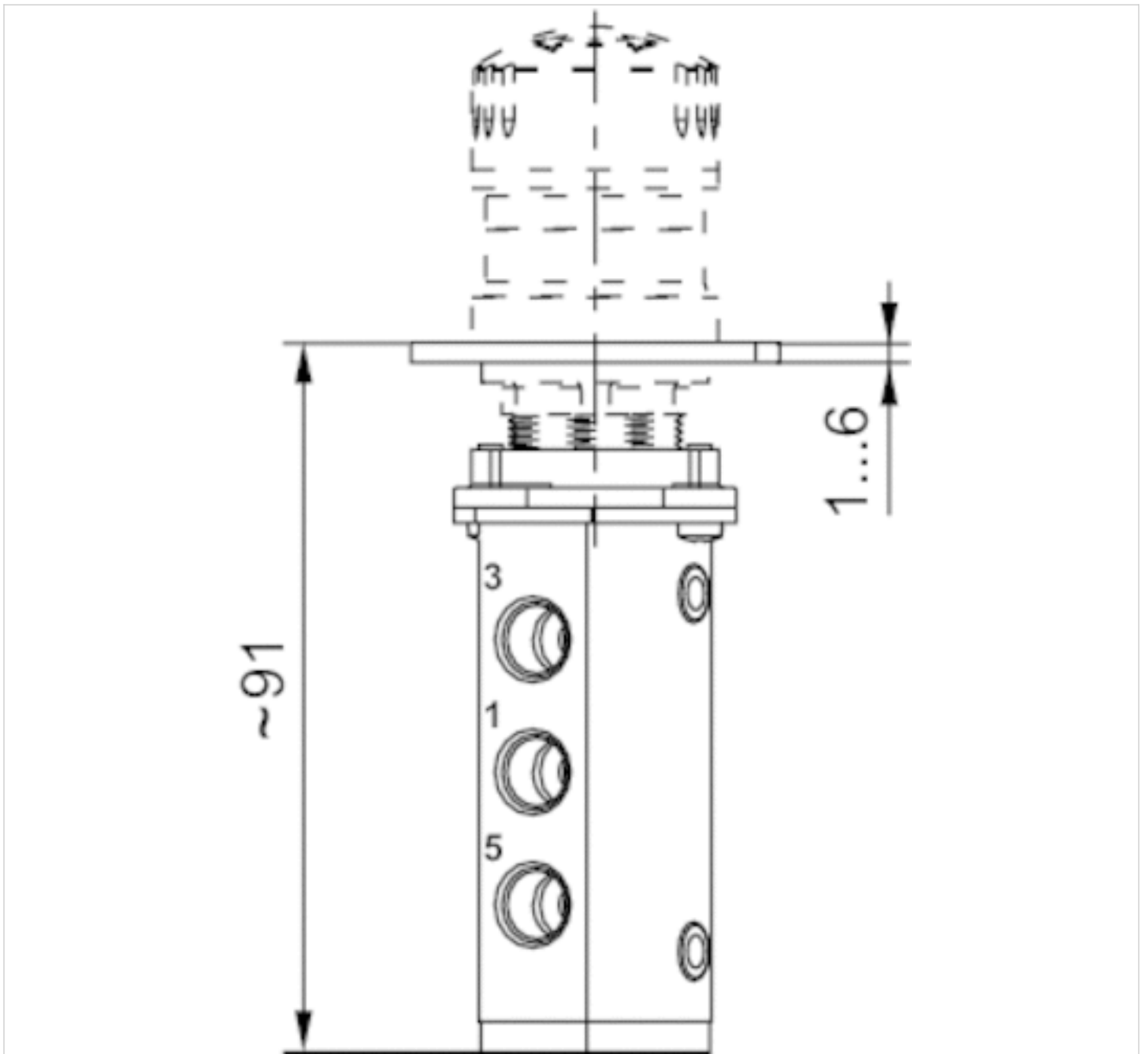
## Dimensions

### Dimensions, Fig. 1, Basic valve

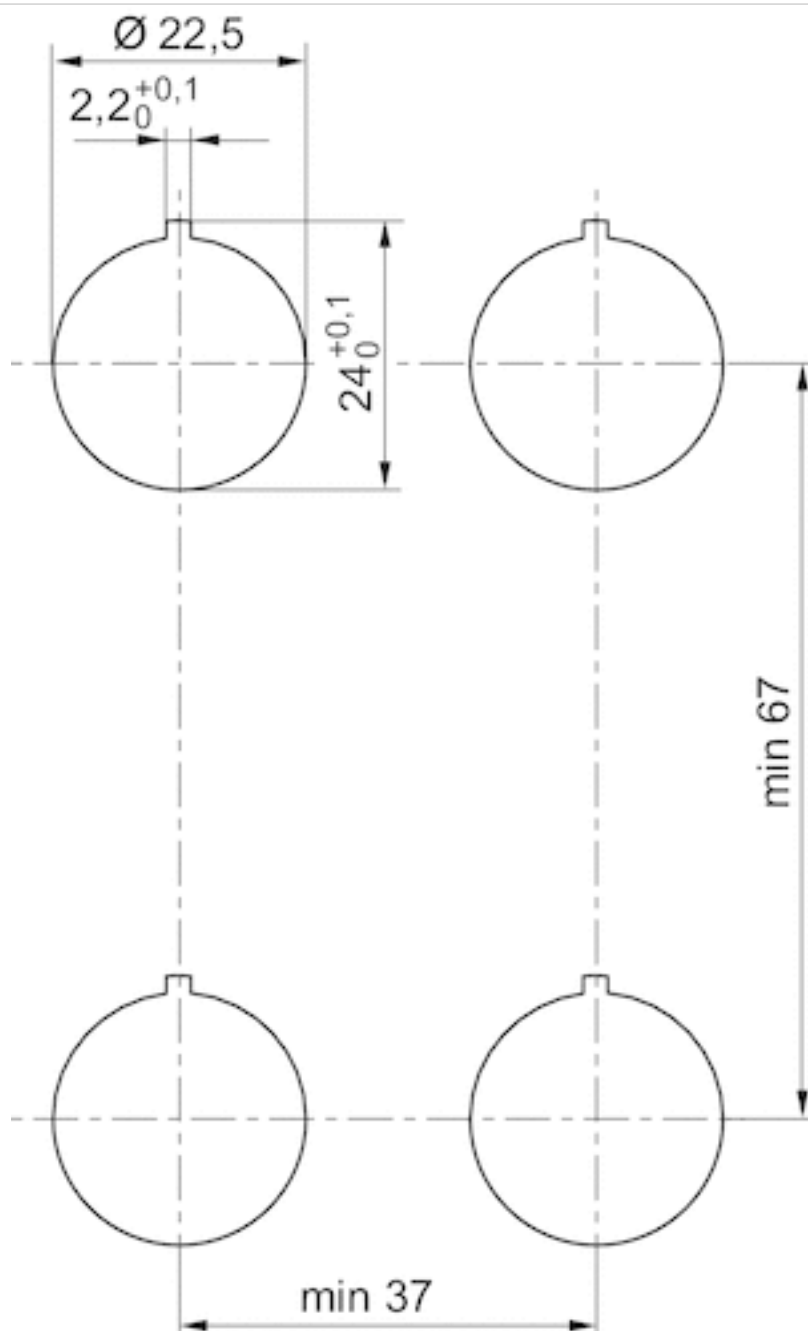


1) Actuating stroke 2) overstroke  
 connection via 2 through-holes in housing  
 Dimensions of basic valve apply to all types of actuation.

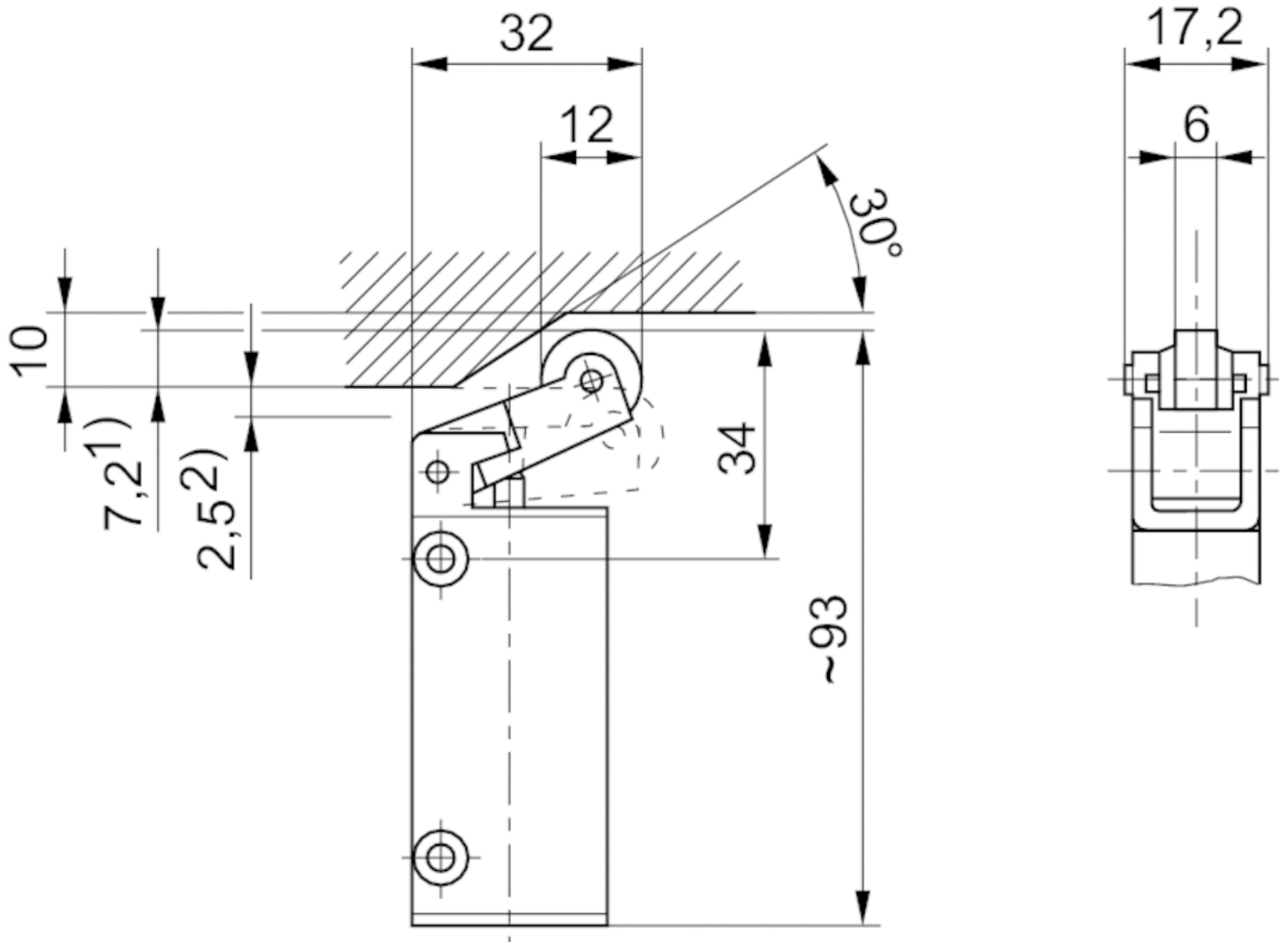
Overview drawing, Fig. 9



Dimensions, cut-out in the front plate

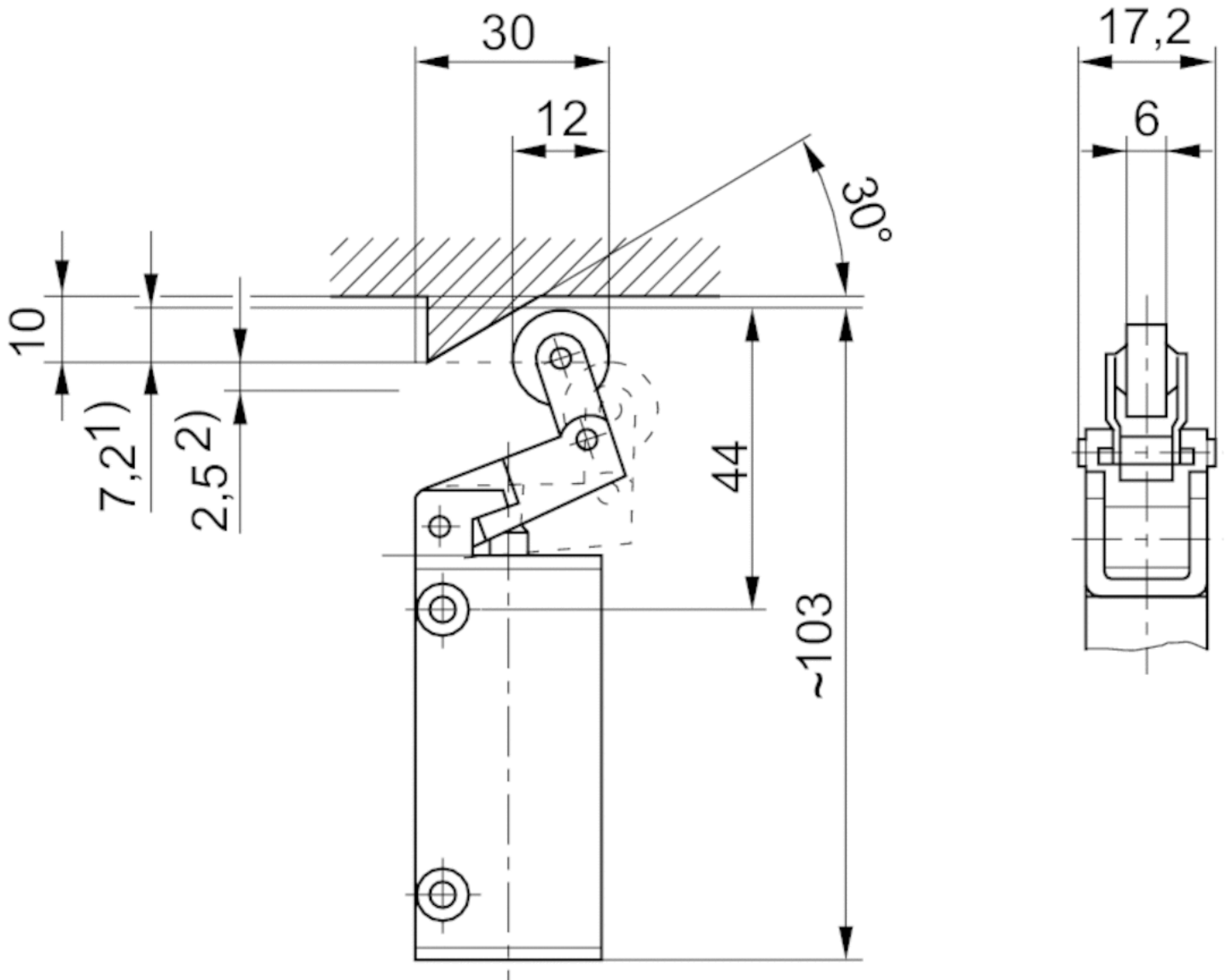


Dimensions, Fig. 2



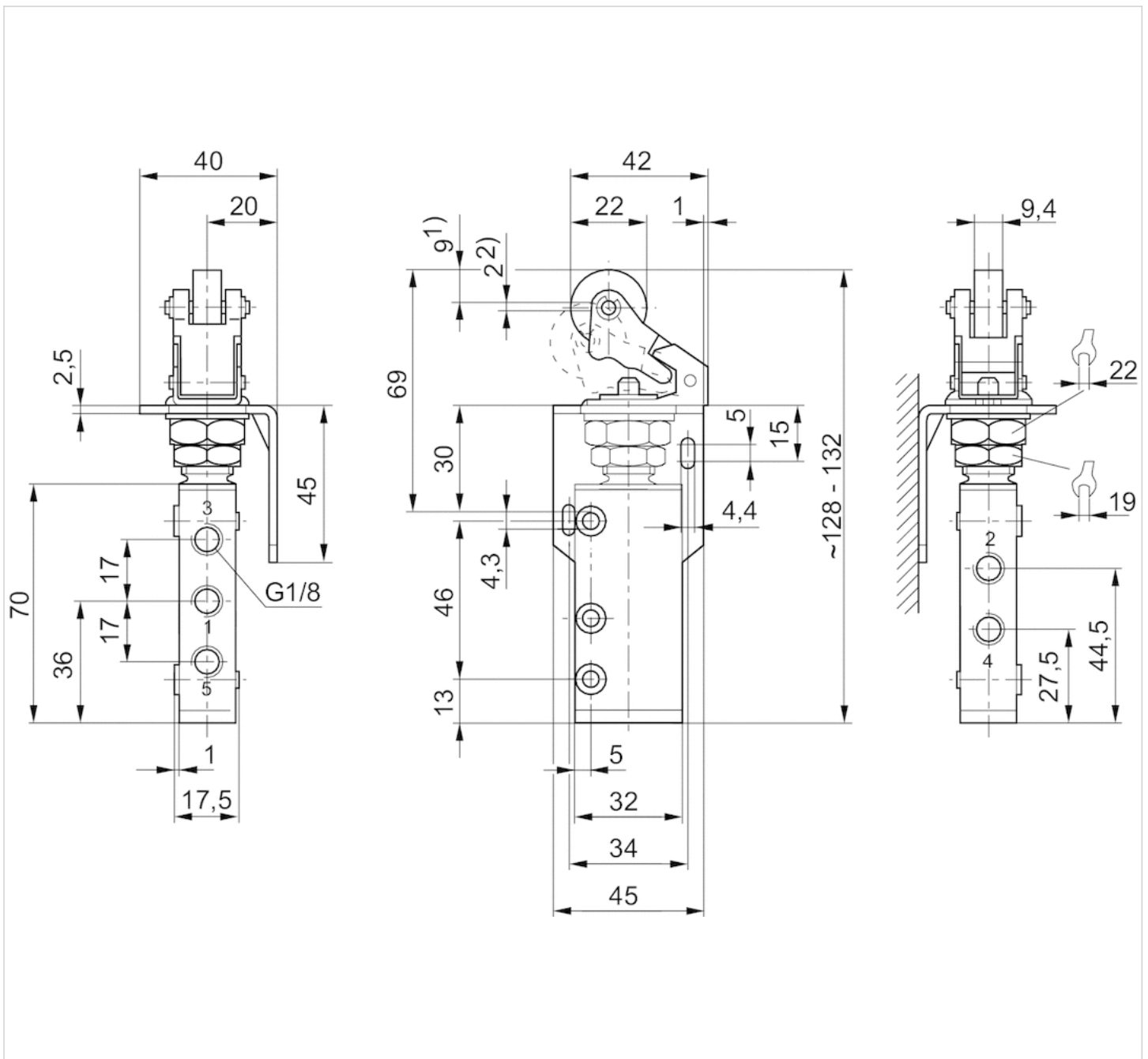
1) Actuating stroke 2) overstroke  
connection via 2 through-holes in housing

Dimensions, Fig. 3



1) Actuating stroke 2) overstroke  
connection via 2 through-holes in housing

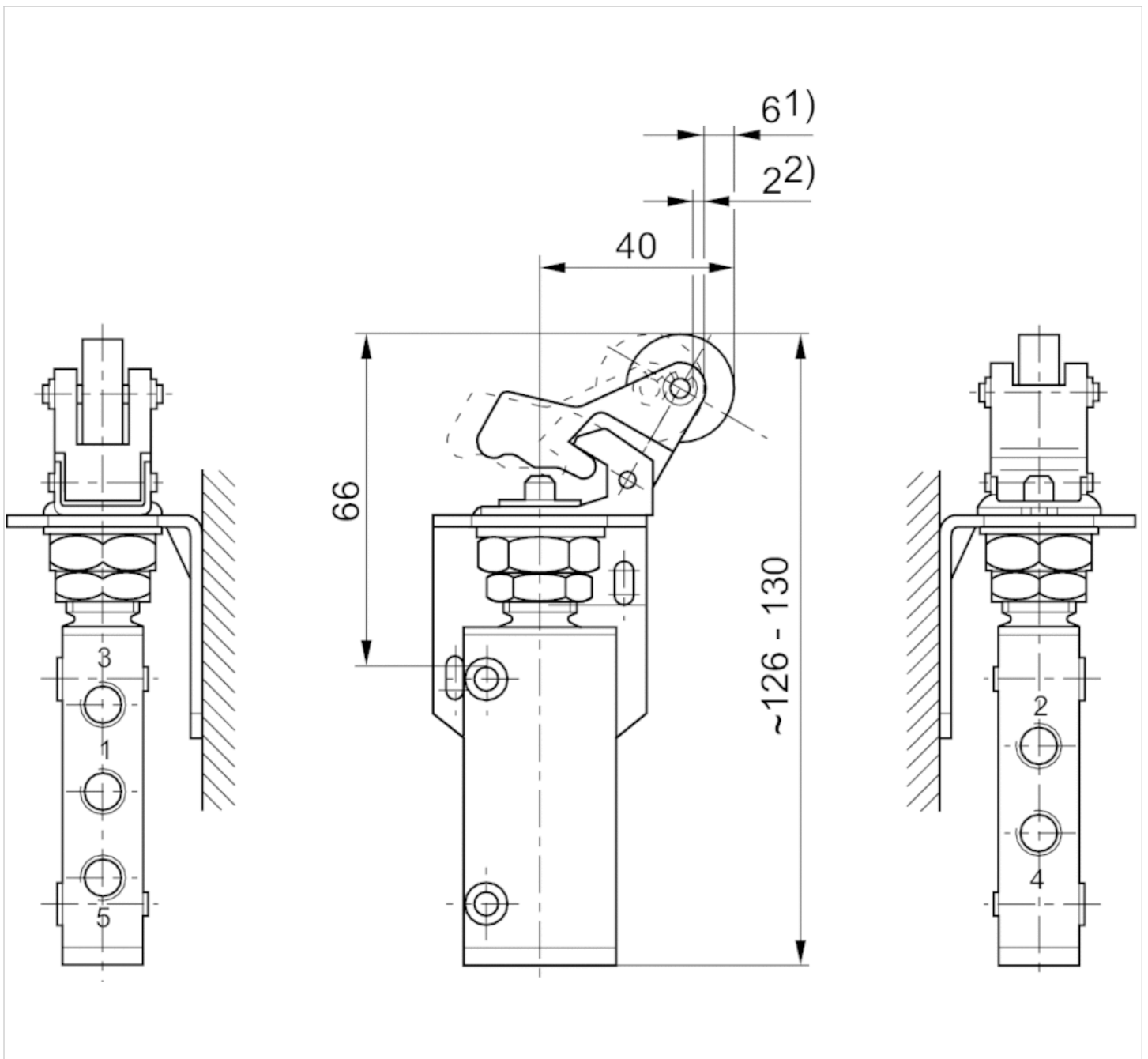
Dimensions, Fig. 6



1) actuating stroke 2) overstroke  
 Can be adjusted by 90°, thereby providing 4 different angles of approach.

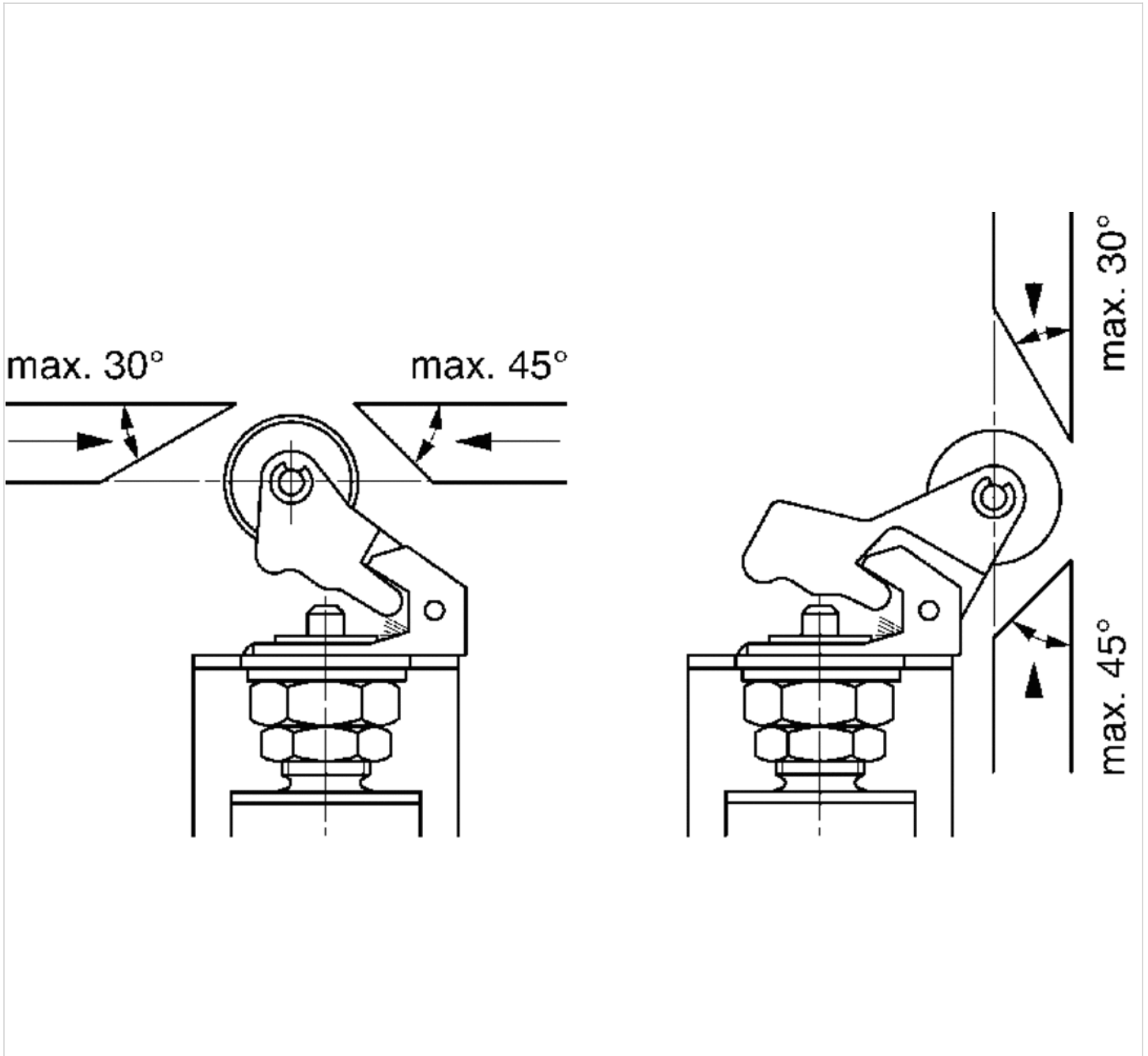


Dimensions, Fig. 7

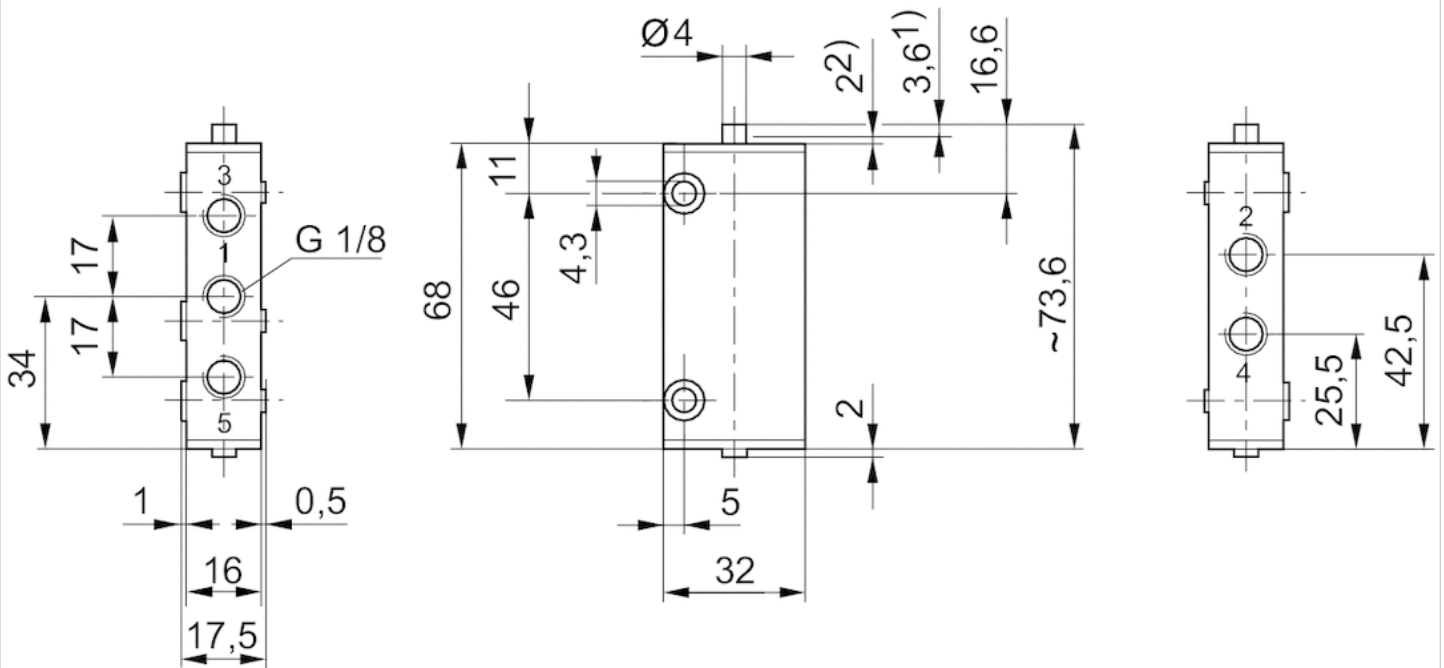


1) actuating stroke 2) overstroke  
Can be adjusted by 90°, thereby providing 4 different angles of approach.

angle of approach for 0820402016 and 0820402017



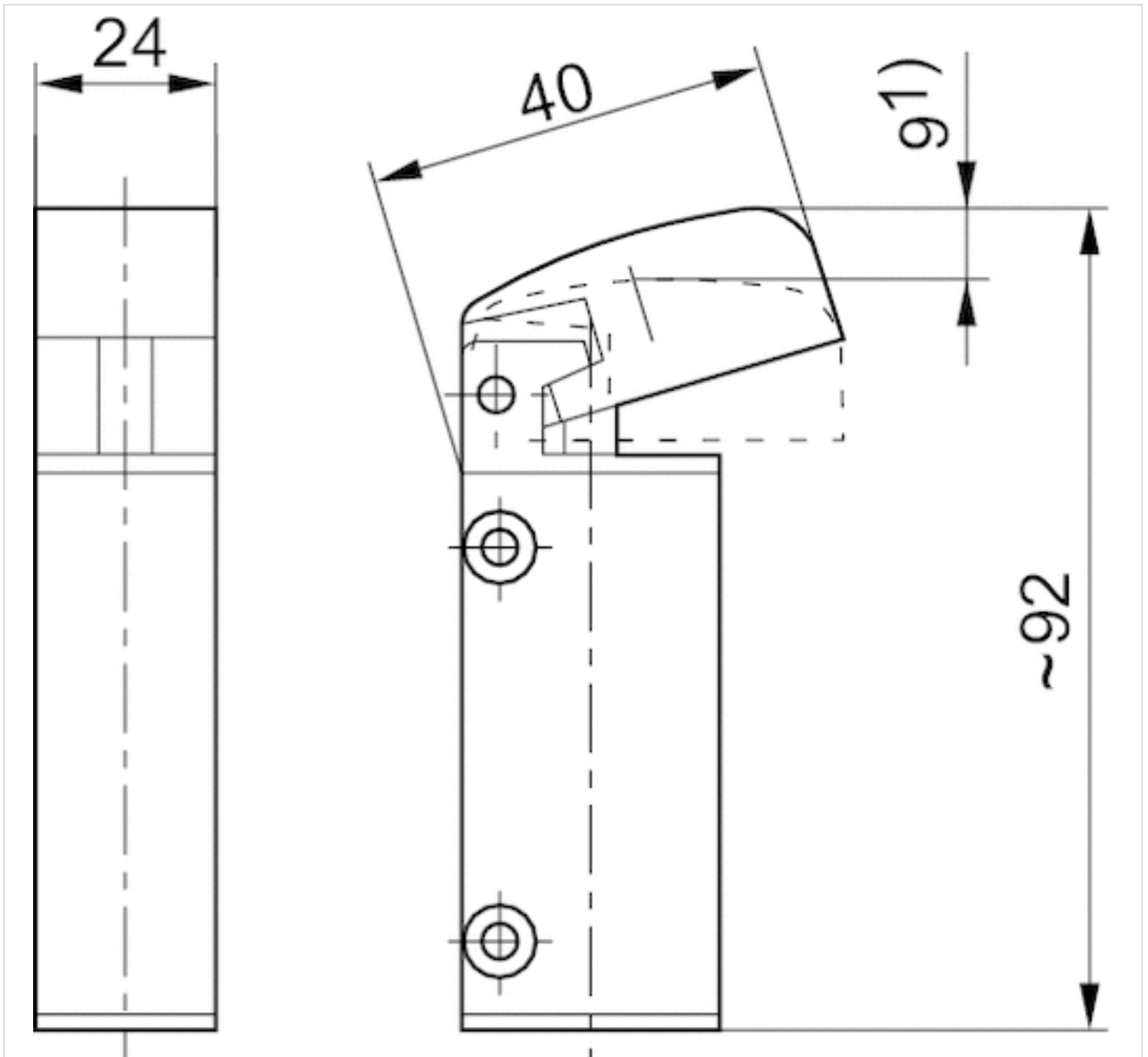
Dimensions, Fig. 8



1) actuating stroke 2) overstroke

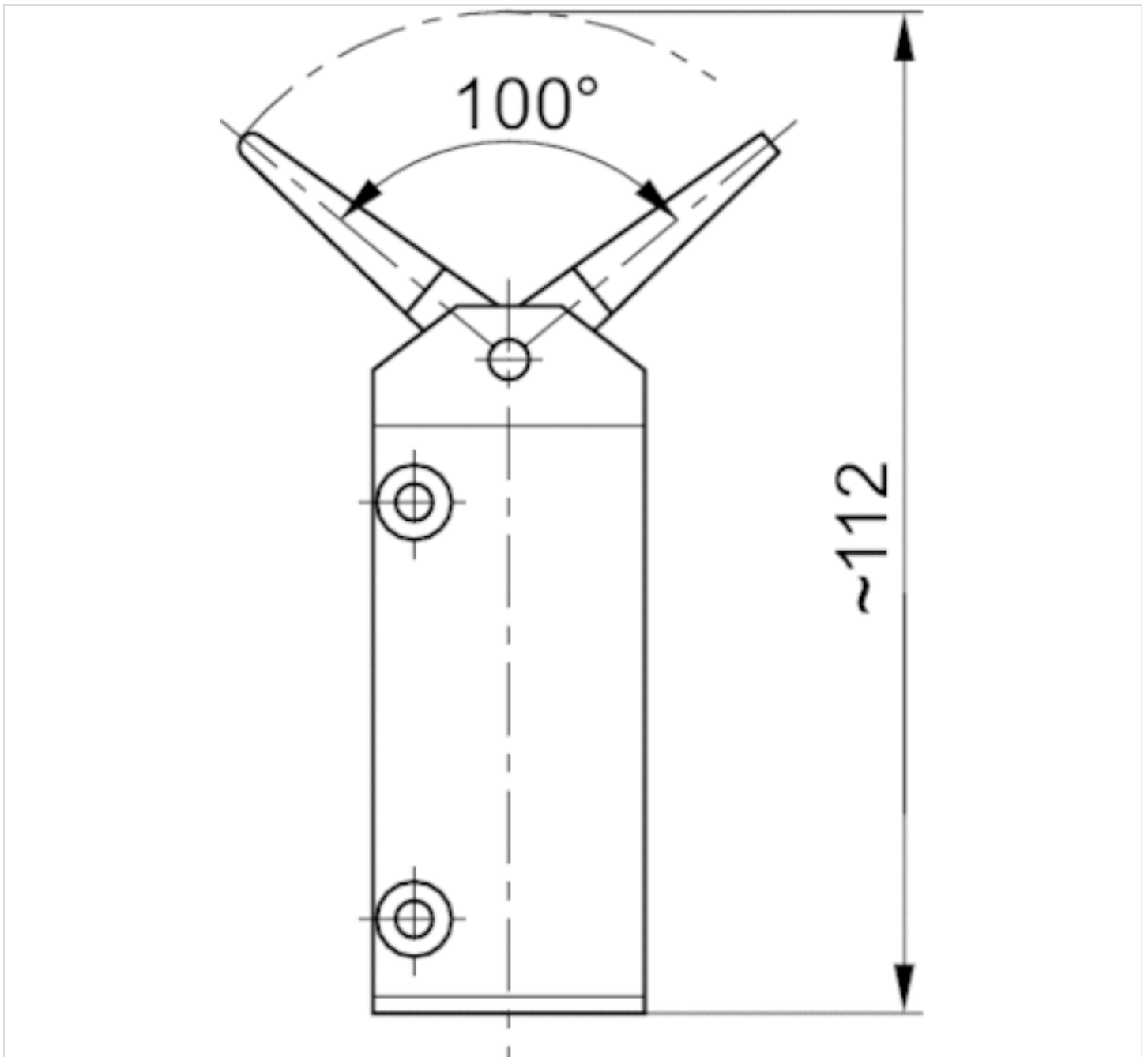
connection via 2 through-holes in housing. If the plunger is displaced all the way to the housing cover, the actuating stroke changes from 3.6 to 5.6 mm.

Dimensions, Fig. 4



1) actuating stroke  
Mounting via 2 through-holes in housing

Dimensions, Fig. 5



Mounting via 2 through-holes in housing

# Efficient pneumatic solutions, our program: cylinders and drives, valves and valve systems, air supply management



Visit us: [Emerson.com/Aventics](https://www.emerson.com/Aventics)

Your local contact: [Emerson.com/contactus](https://www.emerson.com/contactus)



[Emerson.com](https://www.emerson.com)



[Facebook.com/EmersonAutomationSolutions](https://www.facebook.com/EmersonAutomationSolutions)



[LinkedIn.com/company/Emerson-Automation-Solutions](https://www.linkedin.com/company/Emerson-Automation-Solutions)



[Twitter.com/EMR\\_Automation](https://twitter.com/EMR_Automation)

An example configuration is depicted on the title page. The delivered product may thus vary from that in the illustration. Subject to change. This Document, as well as the data, specifications and other information set forth in it, are the exclusive property of AVENTICS GmbH. It may not be reproduced or given to third parties without its consent. Only use the AVENTICS products shown in industrial applications. Read the product documentation completely and carefully before using the product. Observe the applicable regulations and laws of the respective country. When integrating the product into applications, note the system manufacturer's specifications for safe use of the product. The data specified only serve to describe the product. No statements concerning a certain condition or suitability for a certain application can be derived from our information. The information given does not release the user from the obligation of own judgement and verification. It must be remembered that the products are subject to a natural process of wear and aging.

The Emerson logo is a trademark and service mark of Emerson Electric Co. Brand logotype are registered trademarks of one of the Emerson family of companies. All other marks are the property of their respective owners. © 2021 Emerson Electric Co. All rights reserved.  
2021-05



## CONSIDER IT SOLVED™